

MINCO AC743 HEATSINK

INSTRUCTIONS

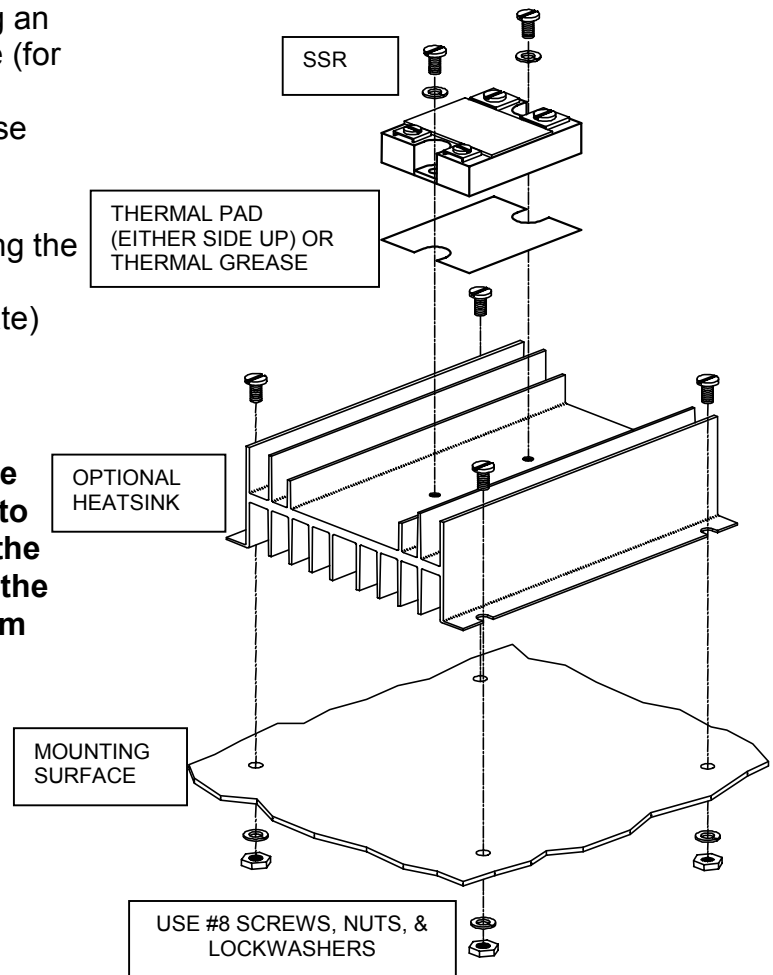
Installation Instructions

When using a Solid State Relay (SSR), it is essential that you remove heat from it. Whether mounting an SSR to a heatsink or an aluminum or steel plate (for example, a control cabinet), a thermal transfer medium should be used between the relay's base plate and the surface.

Make sure that the AC power is turned off. Using the SSR's hardware provided, screw it tightly to the mounting surface (e.g. a heatsink or a metal plate) as shown in Figure 1. Mount the heatsink to the mounting surface as shown in Figure 1.

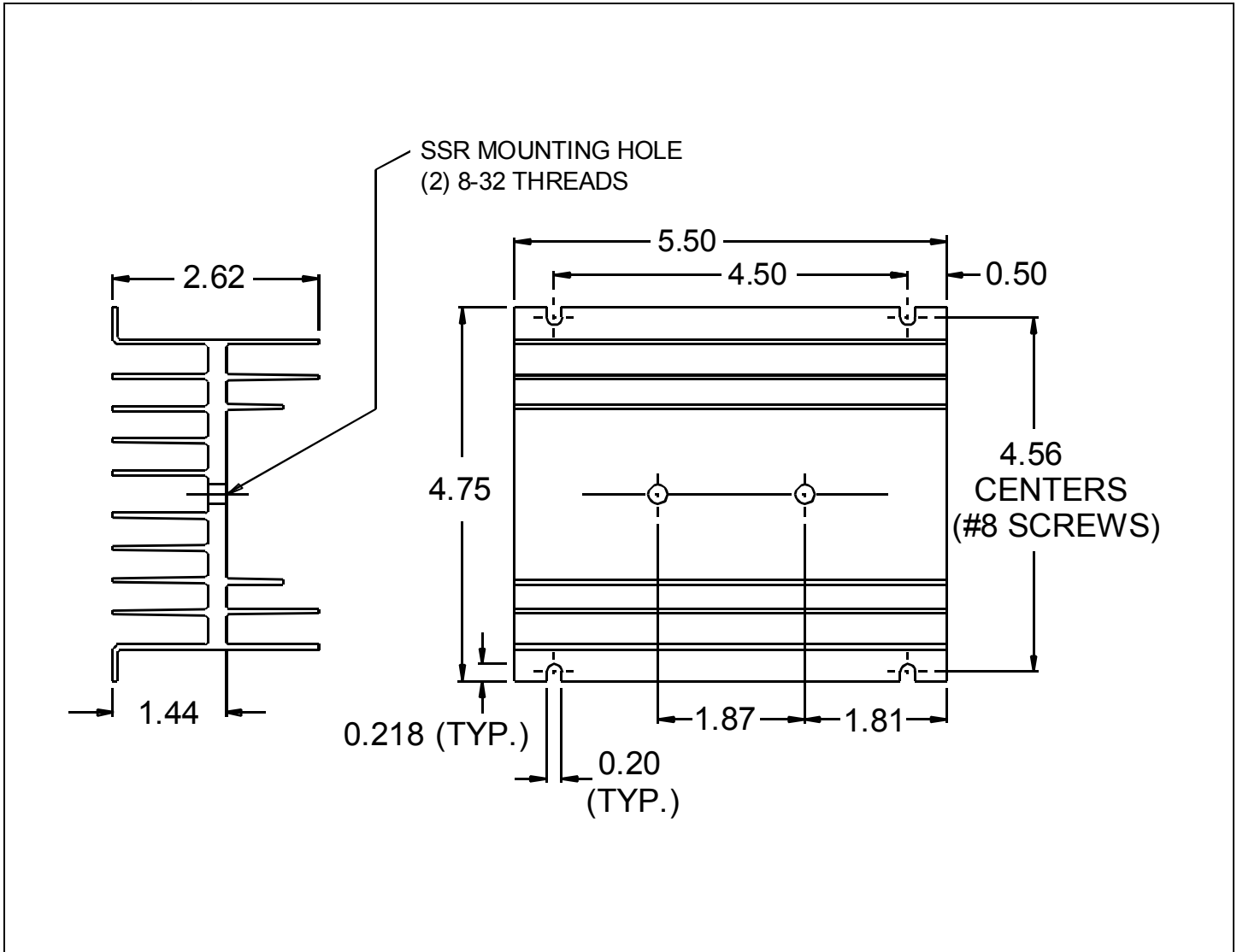
Note: The heatsink should be mounted so the fins are vertical allowing natural convection to help remove heat from the heatsink/SSR. If the heatsink is mounted with the fins horizontal the relay can carry only 80% of its rated maximum current.

Figure 1 Assembly of SSR to Heatsink



Dimensions

Heat Sink; AC743 Aluminum, Gold Chromate Coated. Thermal Resistance: 0.8°C/W



ALL DIMENSIONS IN INCHES

When quality and performance are as important as price, call...

MINCO PRODUCTS, INC.

7300 Commerce Lane/Minneapolis, Minnesota 55432-3177 U.S.A.
Telephone:(763)571-3121 FAX:(763)571-0927

G:\MOD\AC-SSRIWP-FILES\781MN.doc
STOCK NO. 360-00068 02/28/01 DAC