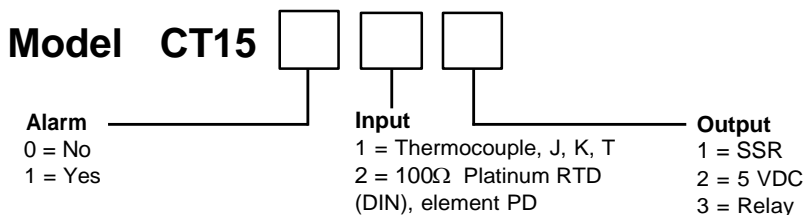


INSTRUCTIONS FOR THE CT15 SERIES MICROPROCESSOR BASED TEMPERATURE CONTROLLER



MODEL IDENTIFICATION



MINCO
ISO 9001: 2000

Minco Products, Inc.
7300 Commerce Lane
Minneapolis, MN 55432 U.S.A.
Tel: 763-571-3121
Fax: 763-571-0927
www.minco.com

Customer Service/Order Desk:
Tel: 763-571-3121
Fax: 763-571-0942
custserv@minco.com



TABLE OF CONTENTS

INPUT WIRING	3
INSTALLATION.....	3
WIRING	4
FRONT PANEL KEY FUNCTIONS	4
SECURITY LEVEL SELECTION	5
MENU SELECTIONS	6
PRIMARY MENU	6
SECONDARY MENU	6
SECURE MENU	7
ALARM TYPE AND ACTION.....	8
DIAGNOSTIC ERROR MESSAGES	10
SPECIFICATIONS	11
DIMENSIONS.....	12

GETTING STARTED

1. Install the control as described on page 3.
2. Wire your control following the instructions on page 3 and drawing on page 4.
3. Most controls do not need many (if any) program changes to work on your process. For best results if programming changes are necessary, make all the necessary changes in the SECURE MENU (page 7) before making changes to the SECONDARY MENU (page 6). If error messages occur, check the Diagnostic Error Messages on page 10 for help.

Take the example of a Model CT15011 that comes from the factory programmed for type J thermocouples. Suppose for this example you wish to change the input to type K and limit the set point range between 0° and 1000° C.

First, enter the SECURE MENU as instructed on page 7. Press the INDEX key until the display shows **Inp** and press the DOWN ARROW until the display shows **CA**. Don't forget to press the ENTER key to retain your setting.

Next, press the INDEX key to display **F-C**. Press the DOWN ARROW until the display shows **C**. Press ENTER.

Next, press the INDEX key until **SPL** is displayed (pass the **dPt** and **InPt** selections). Press the UP ARROW until the display shows **0**. Press ENTER.

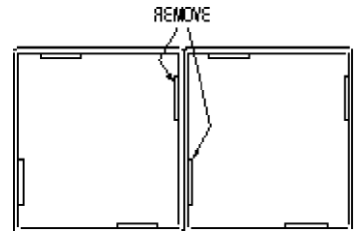
Finally, press INDEX key to display **SPH**. Press the DOWN ARROW until the display shows **1000**. Press ENTER.

The necessary program changes are now complete. After 30 seconds the display will switch back to the temperature reading. If you want to return faster, press the UP ARROW and ENTER keys (at the same time) and then press the DOWN ARROW and INDEX keys (again at the same time). This will 'back out' of the menu and immediately display the temperature reading.

INSTALLATION

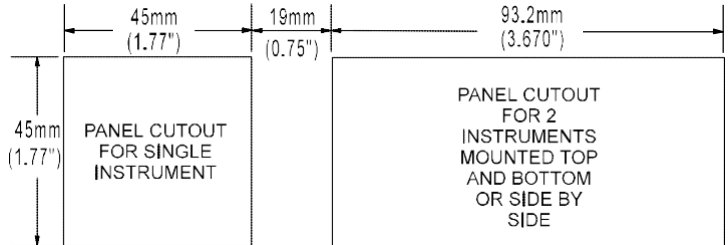
Mount the instrument in a location that will not be subject to excessive temperature, shock, or vibration. All models are designed for mounting in an enclosed panel.

Select the position desired for the instrument on the panel. If more than one instrument is required, only two units can be mounted closely together, either one above the other or side by side. When mounted together, the mounting collar will require modification by removing the inside tab from each collar.



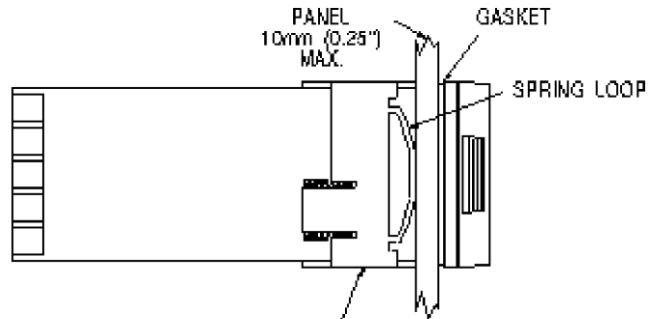
Prepare the panel by cutting and deburring the required opening.

From the front of the panel, slide the housing through the cut out. The housing gasket should be against the housing flange before installing.



ALL TOLERANCES ARE
-0.00 +0.25mm (-0.000 +0.010)

From the rear of the panel slide the mounting collar over the housing. Hold the housing with one hand and using the other hand, push the collar evenly against the panel until the spring loops are slightly compressed. The ratchets will hold the mounting collar and housing in place.



MOUNTING COLLAR (SHOWN IN POSITION)
SLIDE COLLAR ONTO THE HOUSING
BEFORE WIRING THE REAR TERMINALS

INPUTWIRING

Do not run thermocouple or other input wiring in the same conduit as power leads. Use only the type of thermocouple or RTD probe for which the control has been programmed. See the "**SECURE MENU**" to change between RTD and thermocouple input types.

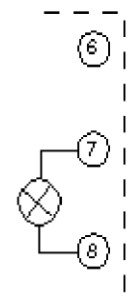
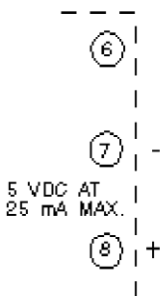
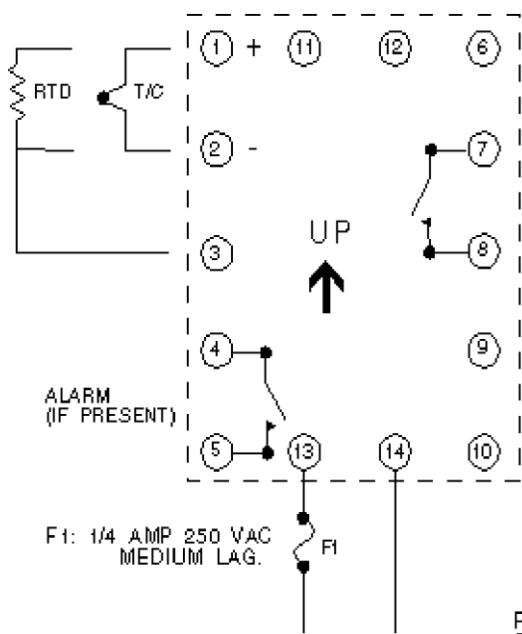
For thermocouple input always use extension leads of the same type designated for your thermocouple.

WIRING

RELAY OUTPUT **

5VDC OUTPUT

SSR OUTPUT



SSR DERATING CHART

°C	°F	CURRENT
25	77	3.50
35	95	2.75
45	113	2.00
55	131	1.25

FOR RELAY OR SSR OUTPUTS: TYPE MDA OR 3AB 3.5A MEDIUM LAG FUSE RECOMMENDED

** R/C SNUBBER RECOMMENDED FOR DRIVING SOLENOID OR CONTACTOR LOADS

LINE
SEE LABEL ON CONTROL
FOR RATINGS

FRONT PANEL KEY FUNCTIONS

Set Point Lamp

Alarm Lamp

°F Indicator*

°C Indicator*

*Lamp flashes during Self-Tune operation.



Decimal point flashes while ramping function is active.

The 1500 Series controls have one display. The display must occasionally switch to show a complete message or menu item and its value. The normal display shows just the temperature and does not switch. While showing a menu item, the display will alternate between the menu item and the item value. If the UP arrow, DOWN arrow, or ENTER keys are pressed, the display immediately switches to display the item value.

Key functions are as follows:

- INDEX:** Pressing the INDEX key advances the display to the next menu item. May also be used in conjunction with other keys as noted below.
- UP ARROW:** Increments a value, changes a menu item, or selects the item to ON. The maximum value obtainable is 9999 or 999.9.
- DOWN ARROW:** Decrements a value, changes a menu item, or selects the item to OFF. The minimum value obtainable is -1999 or -199.9.
- ENTER:** Pressing ENTER stores the value or the item changed. If not pressed, the previously stored value or item will be retained. The display will flash once when ENTER is pressed.
- UP ARROW & ENTER:** Pressing these keys simultaneously brings up the **SECONDARY MENU** starting at the alarm, tune, or cycle item (depending on programming). Pressing these keys for 5 seconds will bring up the **SECURE MENU**.

6. **INDEX & DOWN ARROW:** Pressing these keys simultaneously will allow backing up one menu item, or if at the first menu item they will cause the display to return to the **PRIMARY MENU**. If an alarm condition has occurred, these keys may be used to reset the alarm.
7. **INDEX & ENTER:** Pressing these keys simultaneously and holding them for 5 seconds allows recovery from the various error messages. The following menu items will be reset:

ALiH: Alarm inhibit

OPEn InP: Thermocouple error message

bAd InP: RTD error message

CHEC CAL: Check calibration error message

Correct the problems associated with the above conditions first before using these reset keys. More than one error could be present. Caution is advised since several items are reset at one time.

While in the **PRIMARY** or **SECONDARY MENU**, if no key is pressed for a period of 30 seconds, the display will return to the HOME position displaying the temperature value. The time is increased to 1 minute when in the **SECURE MENU**.

NOTE: To move to the **PRIMARY MENU** quickly from any other menu, press the **UP ARROW & ENTER** keys followed by pressing the **INDEX & DOWN ARROW** keys.

SECURITY LEVEL SELECTION

NOTE: Lock menus to prevent unauthorized changes to controller settings.

Four levels of security are provided. The security level can be changed under **SECr** in the **SECURE MENU**. The display shows the current security level. Refer to the password table below for the correct value to enter for the security level desired. To change security levels, set the password value using the **UP & DOWN ARROW** keys and press the **ENTER** key. The **SECr** menu item's security level may be viewed or changed at any time regardless of the present security level. The password values shown in the table cannot be altered, so retain a copy of this page for future reference. This will be the only reference made to password values in this instruction book.

PASSWORD TABLE

SECURITY LEVEL MENU	SECURITY	DISPLAYED VALUE WHEN VIEWED	PASSWORD VALUE TO ENTER
Primary Secondary Secure	Locked Locked Locked	1	1110
Primary Secondary Secure	Unlocked Locked Locked	2	1101
Primary Secondary Secure	Unlocked Unlocked Locked	3	1011
Primary Secondary Secure	Unlocked Unlocked Unlocked	4	111

MENU SELECTIONS

PRIMARY MENU

Press **INDEX** to advance to the next menu item. Press **UP ARROW** or **DOWN ARROW** to change the value in the display. Press **ENTER** to retain the value.

SP Set Point Adjust, Control Point.

SECONDARY MENU

Press **UP ARROW & ENTER** simultaneously. Press **INDEX** to advance to the next menu item. Press **UP ARROW** or **DOWN ARROW** to change the value in the display. Press **ENTER** to retain the value.

ALLo Alarm Low: The Low Alarm point is usually set below the Set Point.

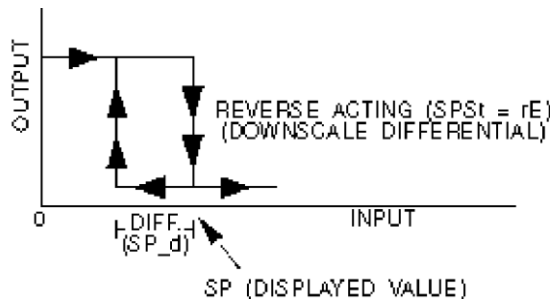
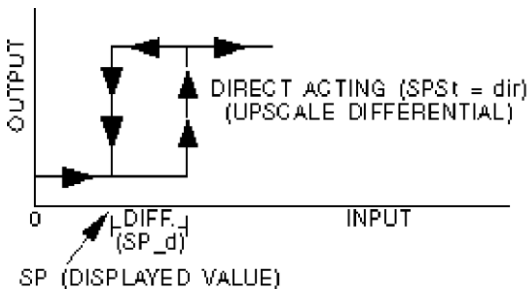
ALHi Alarm High: The High Alarm Point is usually set above the Set Point.

CY Cycle Rate and output selection: Select **OnOF**, **1, 2** to **80** seconds total cycle time.
ONOF A setting of **ONOF** allows the control to operate as a simple on/off mode. This setting forces the control to turn off at set point, and on at the set point plus the differential (**SP_d**). When selected, the **tunE**, **Pb**, **rES**, **OFS**, **rtE**, and **ArUP** selections in the Secondary menu and the **SPOL** and **SPOH** selections in the Secure menu are suppressed.

1 A setting of 1 is recommended for solid state outputs (SSR or 5VDC).

2 to 80 Time Proportioning Control is adjustable in 1 sec. steps. Recommended for mechanical outputs (relays, solenoids, etc.). For best contact life, a time should be selected that is as long as possible without causing the process to wander.

SP_d Set Point On-Off Differential. (Only appears if **CY** is set to **ONOF**.) Select **1** to **999°F**. This value will be negative for reverse acting set points, and positive for direct acting outputs. Set the value for the amount of temperature difference between the turn off point (set point) and the turn on point.



tunE Tuning Choice: Select **SELF** or **Pid**.

SELF The Controller will evaluate the Process and select the PID values to maintain good control. The ramp function (**rt**) cannot be selected while **SELF tunE** is active. The temperature descriptor will flash while **SELF tunE** is active. The control will switch to **Pid tunE** when the tuning function is complete.

Pid Manually adjust the PID values. PID control consists of three basic parameters, Proportional Band (Gain), Reset Time (Integral), and Rate Time (Derivative).

Pb Proportional Band (Bandwidth): Select **5** to **5000 °F (3 to 2778 °C)**.

rES Automatic Reset Time: Select **OFF**, **0.1** to **99.9** minutes. Select **OFF** to switch to **OFS**.

OFS Manual Offset Correction: Select **OFF**, **0.1** to **99.9%**. Select **OFF** to switch to **rES**.

rtE Rate Time. Select **OFF**, **0.01** to **99.99** minutes (Derivative).

ArUP Anti-Reset Wind-up Feature: Select **On** or **OFF**.

On If **ArUP** is **On** the accumulated Reset Offset value will be cleared to 0% when the process input is not within the Proportional Band.

OFF If **ArUP** is **OFF**, the accumulated Reset Offset Value is retained in memory when the process input is not within the Proportional Band.

rt Ramp Time: Select **OFF**, **00.01** to **99.59** (HH.MM). When value is entered, control calculates a ramp slope from the current temperature to **SP** over the time entered. Changing **rt** or **SP** (or pressing ENTER at either menu item) restarts the ramp function, and re-calculates the slope. The right hand decimal point of the display will flash while the ramp function is active. **Self tunE** cannot be selected while the ramp function is active. Selecting **OFF** will stop a current ramp and drive the output as necessary to reach set point

InPC Input Correction: Select **±500 °F (±278 °C)**. This feature allows the input value to be changed to agree with an external reference or to compensate for sensor error. **Note:** InPC is reset to zero when the input type is changed, or when decimal position is changed.

FiLt Digital Filter: Select **OFF**, **1** to **99**. In some cases the time constant of the sensor, or noise could cause the display to jump enough to be unreadable. A setting of 2 is usually sufficient to provide enough filtering for most cases, (2 represents approximately a 1 second time constant). When the 0.1 degree resolution is selected this should be increased to 4. If this value is set too high, controllability will suffer.

SECURE MENU

Hold **UP ARROW & ENTER** for 5 Seconds. Press **INDEX** to advance to the next menu item. Press **UP ARROW** or **DOWN ARROW** to change the value in the display. Press **ENTER** to retain the value.

SECr Security Code: See the Security Level Selection and the Password Table in this manual in order to enter the correct password.

InP Input Type: Select one of the following. The selections are limited to the input type you ordered. If you ordered a thermocouple input control, make your selection from the thermocouple list. If you ordered an RTD input, select from the RTD list.

Thermocouple selections:

J-IC Type "J" Thermocouple, Iron/Constantan (NIST)

CA Type "K" Thermocouple Chromel/Alumel

t- Type "T" Thermocouple Copper/Constantan

RTD selection:

P385 100 ohm Platinum (DIN 0.00385 $\Omega/\Omega/^\circ\text{C}$), element code PD.

F-C Select temperature descriptor for Fahrenheit or Celsius.

F °F descriptor is On and temperature inputs will be displayed in actual degrees Fahrenheit.

C °C descriptor is On and temperature inputs will be displayed in actual degrees Celsius.

dPt Decimal Point Positioning: Select **0** or **0.0**. This only affects the Process Value, SP, ALLO, ALHi, and InPC.

0 No decimal Point is selected.

0.0 One decimal place is selected. If the Process Value moves outside of the decimal point range ends (-199.9 to +999.9), the Process Value display will autorange to whole degree resolution. When the Process Value returns to the decimal point range, the display will autorange back to tenth degree resolution.

InPt Input Fault Timer: Select **OFF**, **0.1** to **540.0** minutes. Whenever an Input is out of range (UFL or OFL displayed), shorted, or open the timer will start. When the time has elapsed, the controller will revert to a safe condition (Output Off, Flashing Display). If OFF is selected, the Input Fault Timer will not be recognized (time = infinite).

SPL Set Point Low: Select from the lowest input range value to **SPH** value. This will set the minimum SP value that can be entered. The value for SP will stop moving when this value is reached.

SPH Set Point High: Select from the highest input range value to **SPL** value. This will set the maximum SP value that can be entered. The value for SP will stop moving when this value is reached.

SPSt Set Point State: Select **dir** or **rE**.

dir Direct Action. As the input increases the output will increase. Most commonly used in cooling processes.

rE Reverse Action. As the input increases the output will decrease. Most commonly used in heating processes.

SPOL Set Point Output Low Limit: Select **0** to **100%** but not greater than **SPOH**. This item limits the lowest output value. This is useful for adding a bias to the process when needed.

SPOH Set Point Output High Limit: Select **0** to **100%** but not less than **SPOL**. This item allows setting the maximum output limit. This is useful with processes that are over-powered.

SPLP Set Point Lamp: Select **O on** or **OoFF**.

O on Lamp ON when Output is ON.

OoFF Lamp OFF when Output is ON.

ALARM TYPE AND ACTION (if present)



Caution: In any critical application where failure could cause expensive product loss or endanger personal safety, a redundant limit controller is required.

When setting an alarm value for an absolute alarm (**ALt = AbS**), simply set the value at which the alarm is to occur.

When setting the alarm value for a deviation alarm (**ALt = dE**), set the difference in value from the Set Point (SP) desired. For example, if a low alarm is required to be 5 degrees below the SP, then set **ALLo** to **-5**. If a high alarm is required 20 degrees above the SP, then set **ALHi** to **+20**. If SP is changed, the alarm will continue to hold the same relationship as originally set.

The diagram at the top of the next page shows the action and reset functions for both absolute and deviation alarms.

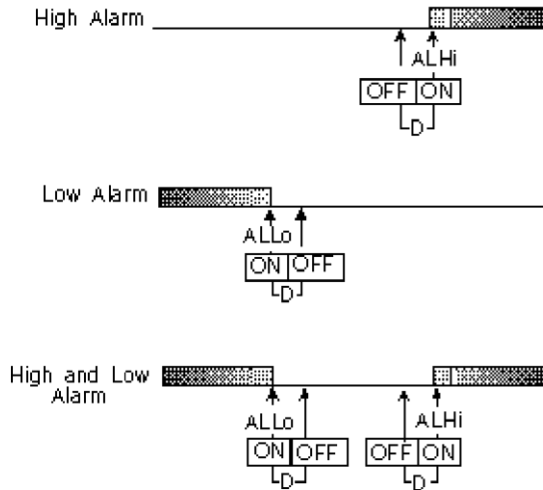
When Alarm Power Interrupt, **ALPi**, is programmed **ON** and Alarm Reset, **ALrE**, is programmed for **Hold**, the alarm will automatically reset upon a power failure and subsequent restoration if no alarm condition is present.

If Alarm Inhibit, **ALiH**, is selected **ON**, an alarm condition is suspended upon power up until the process value passes through the alarm set point once. Alarm inhibit can be restored as if a power up took place by pressing both the **INDEX** and **ENTER** keys for 5 seconds.

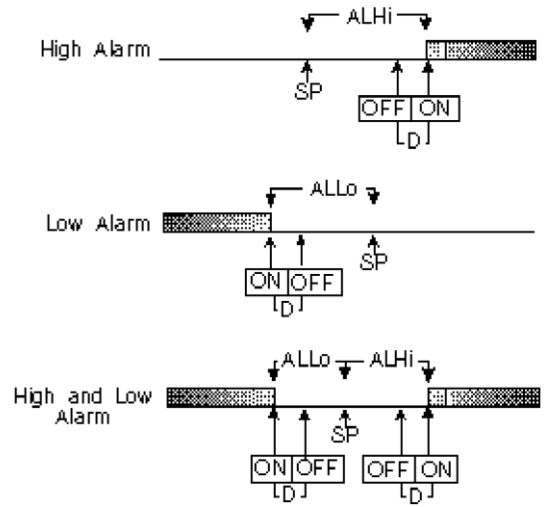


Warning: Resetting a high alarm inhibit will not cause an alarm to occur if the Process Value does not first drop below the high alarm setting. Do not use the Alarm Inhibit feature if a hazard is created by this action. Be sure to test all combinations of high and low alarm inhibit actions before placing control into operation.

ABSOLUTE ALARMS



DEVIATION ALARMS



D = deviation

The following menu items apply only to the alarm.

- AL** Alarms: Select **OFF**, **Lo**, **Hi**, or **HiLo**.
OFF Alarms are turned OFF. No Alarm menu items appear in the Secondary and Secure menus.
Lo Low Alarm Only. ALLo appears in the Secondary Menu.
Hi High Alarm Only. ALHi appears in the Secondary Menu.
HiLo High and Low Alarms. Both share the same Alarm Relay output.
- ALt** Alarm Type: Select **AbS** or **dE**
AbS Absolute Alarm that may be set anywhere within the values of SPL and SPH and is independent of SP.
dE Deviation Alarm that may be set as an offset from SP. As SP is changed the Alarm Point will track with SP.
- ALrE** Alarm Reset: Select **OnOF** or **Hold**.
OnOF Automatic Reset.
Hold Manual Reset. Acknowledge (reset) by simultaneously pressing the **INDEX** & **DOWN ARROW** keys for 5 sec.
- ALPi** Alarm Power Interrupt: Select **On** or **OFF**.
On Alarm Power Interrupt is ON.
OFF Alarm Power Interrupt is OFF.
- ALiH** Alarm Inhibit: Select **On** or **OFF**.
On Alarm Inhibit is ON. Alarm action is suspended until the process value first enters a non-alarm condition.
OFF Alarm Inhibit is OFF.
- ALSt** Alarm Output State: Select **CLOS** or **OPEN**.
CLOS Closes Contacts at Alarm Set Point.
OPEN Opens Contacts at Alarm Set Point.
- ALLP** Alarm Lamp: Select **O on** or **OoFF**.
O on Alarm Lamp is ON when alarm contact is closed.
OoFF Alarm Lamp is OFF when alarm contact is closed.

DIAGNOSTIC ERROR MESSAGES

DISPLAY	MEANING	SP OUTPUTS	ACTION REQUIRED
UFL or OFL	Underflow or Overflow: Process value has exceeded input range ends.	Setpoint output active Alarms active	Input signals may normally go above or below range ends. If not, check input and correct.
bAd InP OPEn InP	UFL or OFL will sequence to display one of these messages if the InPt is set for a time value. For RTD inputs RTD is open or shorted. For THERMOCOUPLE input thermocouple is open.	Setpoint output inactive Alarms active	To reset use the INDEX & ENTER keys. When InPt (input fault timer) has been set for a time, the outputs will be turned off after the set time. Setting the time to OFF causes the outputs to remain active, however UFL or OFL will still be displayed. Correct or replace sensor. To reset use the INDEX & ENTER keys.
CHEC CAL	Check calibration appears as an alternating message if the instrument calibration nears tolerance edges.	Setpoint output active Alarms active	Remove the instrument for service and/or recalibration. To reset use the INDEX & ENTER keys.
	Check calibration appears as a flashing message if the instrument calibration exceeds specification.	Setpoint output inactive Alarms active	Remove the instrument for service and/or recalibration. To reset use the INDEX & ENTER keys.
No display lighted	Display is blank. Instrument may not be getting power, or the supply voltage is too low.	Setpoint output inactive Alarms inactive	Check that the power supply is on, or that the external fuses are good.
FAIL tEst	Fail test appears upon power up if the internal diagnostics detect a failure. This message may occur during operation if a failure is detected. Displays flash.	Setpoint output inactive Alarms inactive	The display alternates between FAIL tEst and one of the following messages: FACT dFLt : Memory may be corrupted. Press the ENTER key and the DOWN ARROW key to start the factory default procedure. Re-check controller programming. rEt FACT : Can not recover from error, return to factory for service.
CHEC SP CHEC ALLO CHEC ALHi	This message will appear upon power up if the set point is set outside of the SPL or SPH values.	Setpoint output inactive Alarms active	Correct the SP or adjust the SPL or SPH values by programming new values.
CHEC SPL or CHEC SPH	This message appears at power up if SPL or SPH values are programmed outside the input range ends.	Setpoint output inactive Alarms inactive	Correct the SPL or SPH values by programming new values.

Input Ranges (as ordered)

Thermocouple Types

RTD Type

Input Type		Type J Iron- Constantan	Type K Chromel- Alumel	Type T Copper- Constantan	100 Ohm Platinum 0.00385 DIN Curve element code PD
Temperature Range & Unit of measure	1°F 1°C	-100 to +1600 -73 to +871	-200 to +2500 -129 to +1371	-350 to +750 -212 to +398	-328 to +1607 -200 to +875

SPECIFICATIONS

Selectable Inputs: Thermocouple or RTD as ordered.

Input Impedance:

Thermocouple = 3 megohms minimum. RTD current = 200 uA.

Sensor Break Protection: De-energizes control output to protect system.

Set Point Range: Selectable (See range chart above).

Display: One; 4 digit, 7 segment, 0.3" high LEDs.

Control Action: Selectable for Reverse (usually heating) or Direct (usually cooling).

Ramp: One ramp time adjustable from 0 to 100 hours.

Proportional Band: 5 to 5000 °F or equivalent °C.

Reset Time (Integral): Off or 0.1 to 99.9 minutes.

Rate Time (Derivative): Off or 0.01 to 99.99 minutes.

Cycle Rate: 1 to 80 seconds, and on-off.

On - Off Differential: Adjustable 1° F to 999°F in 1° steps (equivalent °C).

Alarm On - Off Differential: 2° F or equivalent in °C.

Accuracy: ±0.25% of span, ±1 degree.

Resolution: 1 degree or 0.1 degree, selectable.

Line Voltage Stability: ±0.05% over the supply voltage range.

Temperature Stability: 4µV/°C (2.3 µV/°F) typical, 8 µV/°C (4.5 µV/°F) maximum.

Common Mode Rejection: 140 db minimum at 60 Hz.

Normal Mode Rejection: 65 db typical, 60 db at 60 Hz.

Isolation: Relay and SSR outputs are isolated. 5VDC output must not share a common ground with the input.

Supply Voltage: 100 to 240 VAC, nom., +10 -15%, 50 to 400 Hz. single phase; 132 to 240 VDC, nom., +10 -20%.

Power Consumption: 5VA maximum.

Operating Temperature Range: -10 to +55 °C (+14 to 131 °F).

Storage Temperature Range: -40 to +80 °C (-40 to 176 °F).

Operating Humidity Range: 0 to 90% up to 40 °C non-condensing. 10 to 50% at 55 °C non-condensing.

Memory Backup: Non-volatile memory. No batteries required.

Control Output Ratings:

1. SSR, 3.5 A @ 250 VAC at 25 °C. Derates to 1.25 A @ 55 °C. Minimum 48 VAC and 100 mA required.

2. Switched voltage (non-isolated): 5 VDC @ 25 mA.

3. Relay, Form A contact (SPST), 3 A @ 250 VAC resistive; 1.5 A @ 250 VAC inductive; Pilot Duty Rating: 250 VA, 2 A @ 125 VAC or 1 A @ 250 VAC.

Alarm Relay Rating: Same as Control Output Relay.

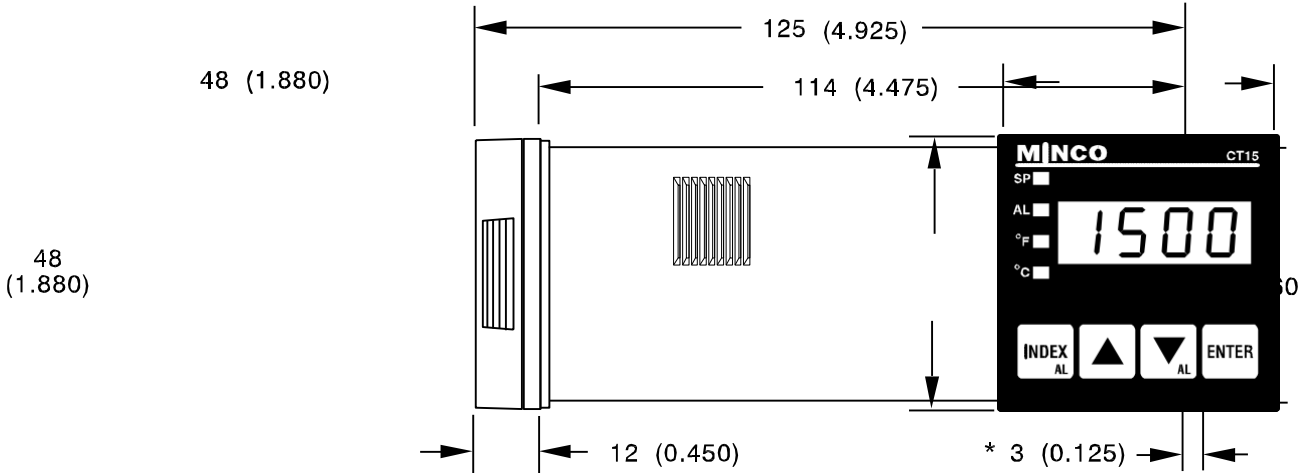
Weight: 227 g (8 oz).

Agency Approvals: UL E83725, and CSA LR40125.

Front Panel Rating (non-hazardous locations): Designed to meet UL 4X for non-hazardous locations (equal to NEMA rating).

DIMENSIONS

(All dimensions in mm with inches in parentheses.)



Panel cutout for all models 45 mm X 45 mm (1.775" X 1.775"). Allow for 13 mm (0.5") clearance at the rear of instrument.

*Present for SSR and 5 VDC output.

LIMITED WARRANTY

Minco Products, Inc. warrants to the Buyer that any equipment sold will be free from defects in material or workmanship. If, at any time within thirtysix (36) months after shipment of CT15 Series Controls or within three (3) months after shipment of other assemblies or parts, the Seller is notified of such defect and the defective item is returned to Seller by Buyer, transportation prepaid, for examination, the Seller will, at his option, either repair or replace the defective items.

This warranty shall be effective only if installation and maintenance is in accordance with Seller's instructions and the defect is not caused by shipping damage, misuse or abuse by the Buyer. There are no other warranties, written, oral, or implied. The liability of the Seller is limited to the repair or replacement of the defective item as set forth above.

Items which wear or are perishable by misuse are not warranted. These include, but are not limited to, relays, contact points, lamps, LEDs, load SCRs, SSRs, and triacs.



Minco Products, Inc.
 7300 Commerce Lane
 Minneapolis, MN 55432 U.S.A.
 Tel: 763-571-3121
 Fax: 763-571-0927
www.minco.com

Customer Service/Order Desk:
 Tel: 763-571-3121
 Fax: 763-571-0942
custserv@minco.com



© 2016, MINCO PRODUCTS, INC. ALL RIGHTS RESERVED. NO PORTION MAY BE COPIED WITHOUT THE EXPRESS WRITTEN CONSENT OF MINCO PRODUCTS, INC.

G:\MOD\CT15\LIT\759MN.PM5
 7/03
 360-00066